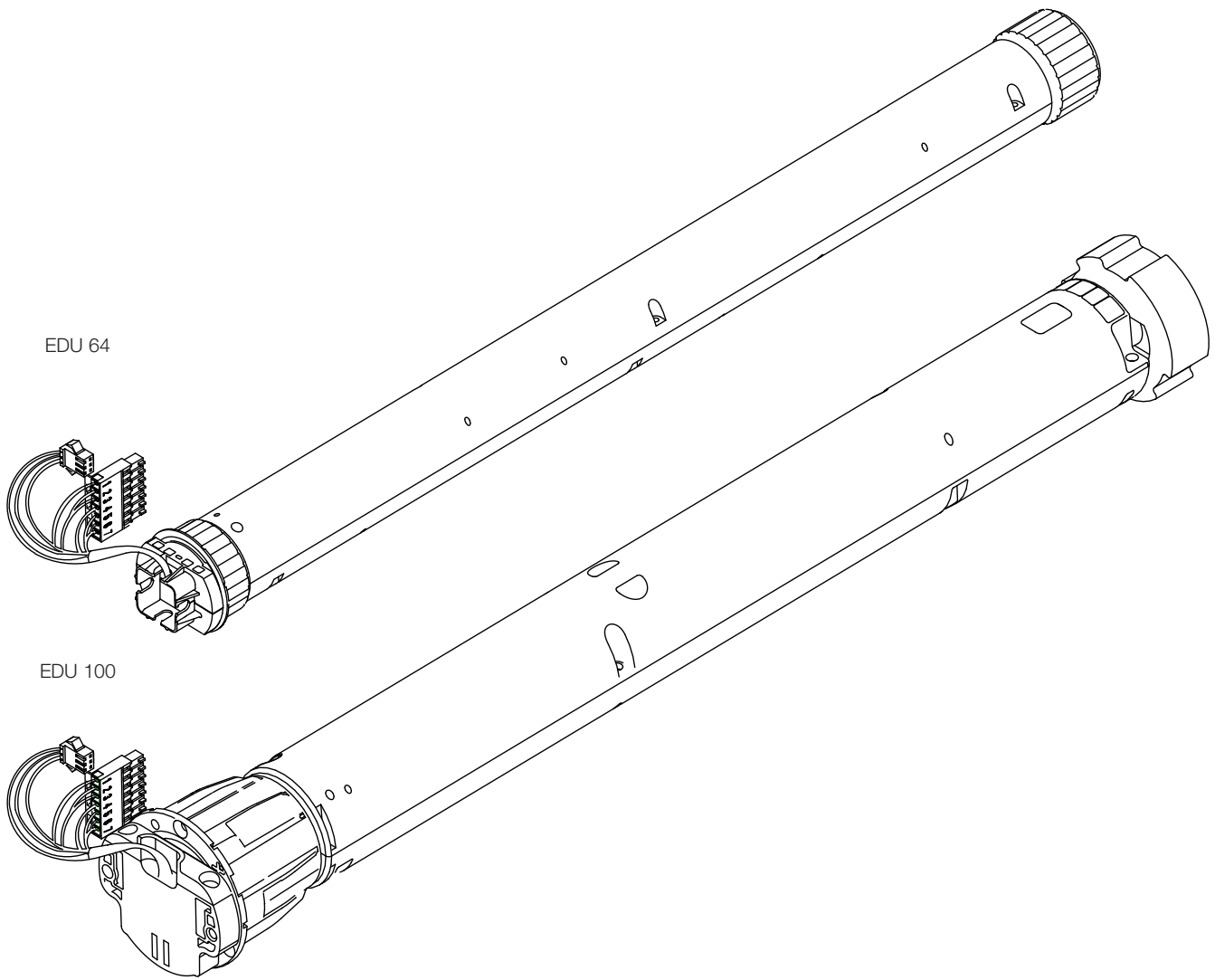


# 1 | roller shade electrical components



## electrical | electronic drive unit

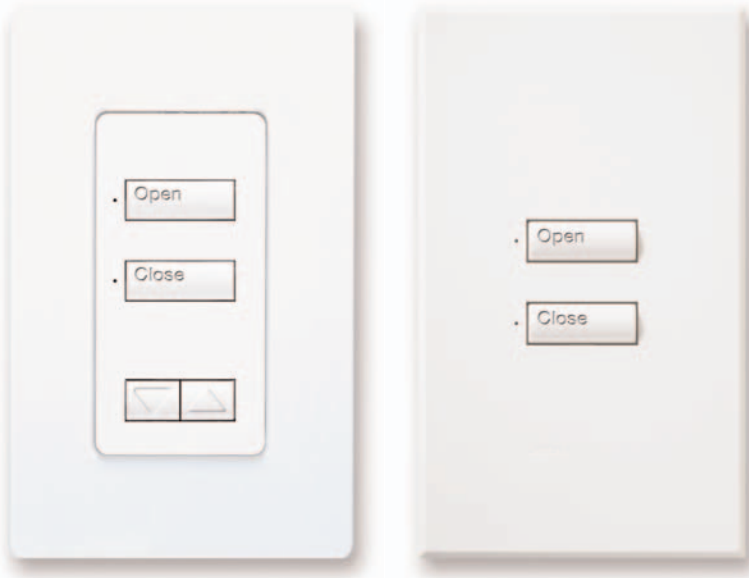
- Ultra-quiet operation: will not exceed 44dBA measured 3 feet from the EDU.
- Smooth, silent starts and stops.
- Integrates with Lutron lighting control systems and other a/v equipment.
- Integrates with most outside systems such as home security or time clocks, without the use of external group controls or relay systems.
- Provides ten year power failure memory.
- Monitors shade position at all times.
- 24 VAC low-voltage power allows Sivoia QED to be installed by low-voltage contractors.
- Shades smoothly move in unison and stop in exact alignment within  $\pm 1/8$ " accuracy.
- Optional infrared system provides easy, convenient control from anywhere in the room.



**ELECTRICAL COMPONENTS**

# electrical | keypad faceplate styles

## Architectural



- available in insert and non-insert models
- sharp outside corners and beveled outside edges
- available in matte plastic colors and metal finishes
- product dimensions  
W: 2.75"  
H: 4.56"  
D: 1.13"

## Designer



- available in insert models only
- standard “decorator” opening
- outside corners of wallplate are rounded
- available in gloss and satin finishes
- product dimensions  
W: 2.94"  
H: 4.69"  
D: 1.13"

For a full presentation of colors, finishes, and keypad styles, please visit [www.lutron.com](http://www.lutron.com) or order the colors of Lutron brochure, P/N 367-949.

# electrical | keypad button layouts

All keypads control either a single EDU or a group of EDU's operating together. They require a wallbox for single or multi-gang installation.



**SVQ-2W-**  
Full open, full close



**SVQ-3W-**  
Full open, full close, one preset



**SVQ-2WRL-**  
Full open, full close, raise and lower



**SVQ-3WRL-**  
Full open, full close, one preset, and raise and lower

ELECTRICAL COMPONENTS

electrical | keypad button layouts

ELECTRICAL COMPONENTS



**SVQ-4WRL-IR-**  
Full open, full close, two presets, infrared reception, and raise and lower



**SVQ-5WRL-**  
Full open, three presets, full close, and raise and lower

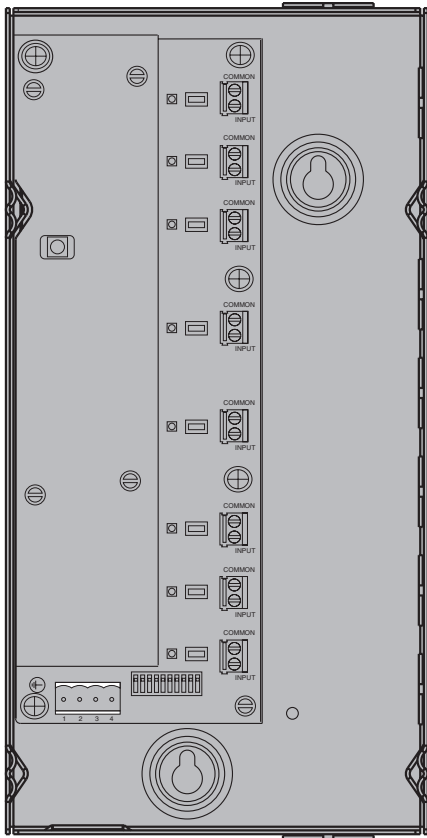


**SVQ-2WD-**  
Full open and full close for two separate groups



**SVQ-3WD-**  
Full open, full close, and one preset for two separate groups

## electrical | contact closure input board



### SVQ-CCI-8

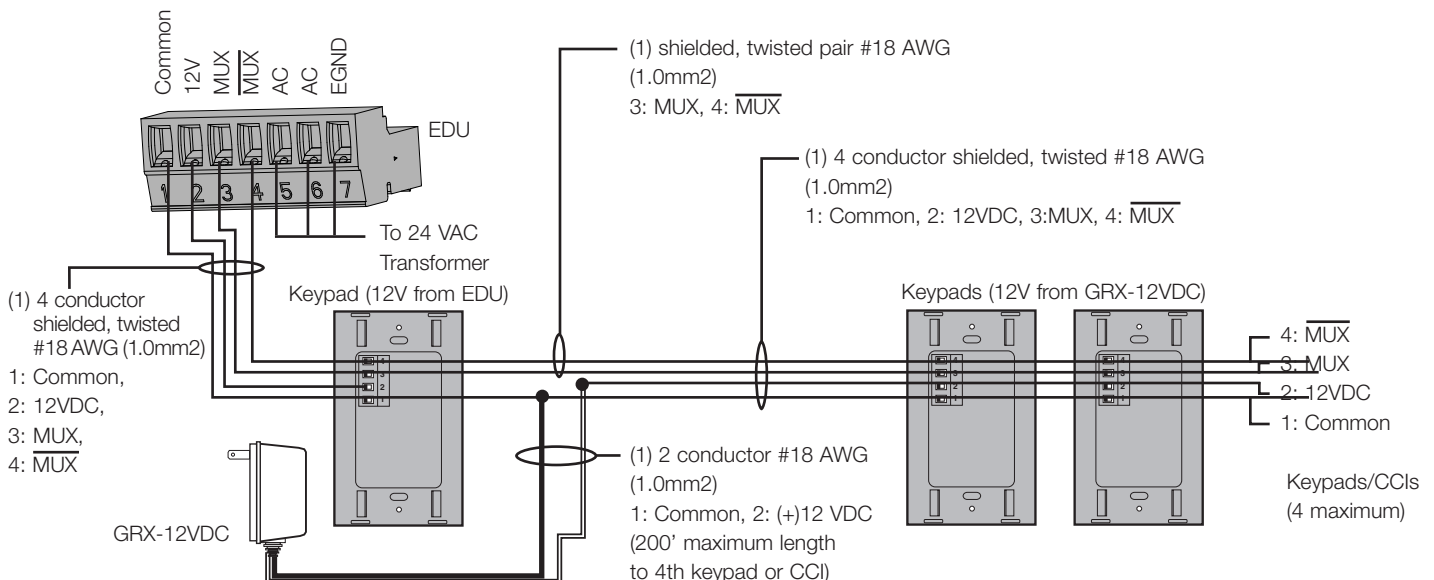
- Receives eight contact closure inputs and sets presets, programs EDUs, etc.
- Utilizes low-voltage, dry contact closure inputs to interface with non-Lutron A/V equipment.
- LEDs provide feedback and receives IR commands.
- Receives power and communication on 4-wire QED communication bus.
- Ships in enclosure, ready for mounting.
- Dimensions for enclosure  
W: 5.25" (5.75" with cover)  
H: 10.25" (10.75" with cover)  
D: 2.00"
- Terminal Blocks Accomodate 14-22 AWG wire.
- Can be configured to operate 1, 2, or 4 groups.

## electrical | external keypad power supply

### GRX-12VDC

The number of keypads and CCIs in a Sivoia QED system is not to exceed the number of EDUs unless an external keypad power supply is used.

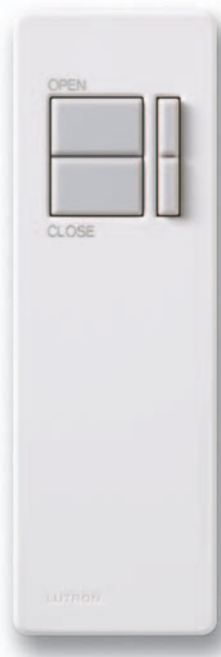
The GRX-12VDC can be used to power up to four additional keypads or CCIs beyond the number of EDUs in the system. For more, please see the app note on [www.lutron.com](http://www.lutron.com).



# electrical | hand-held infrared remotes

Sivoia QED remotes can control one EDU or a group of EDUs acting together. They ship with AAA alkaline batteries. Use only one infrared receiver per room.

ELECTRICAL COMPONENTS



**SVQ-OCIT-WH**  
Full open, full close and fine-tune raise and lower



**SVQ-3PIT-WH**  
Full open, three presets, full close and fine-tune raise and lower



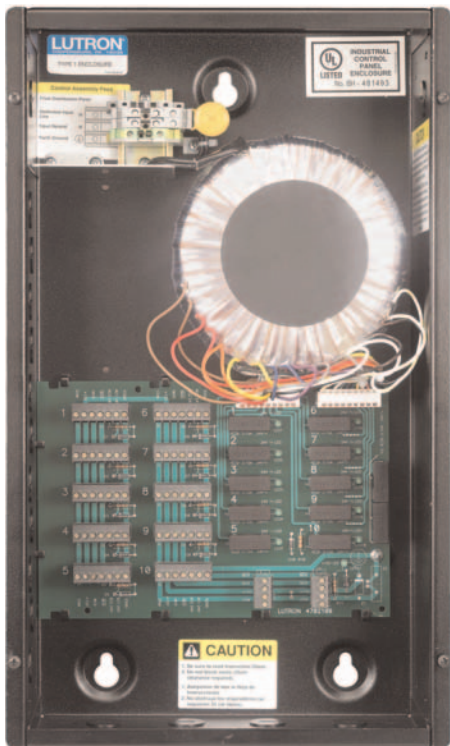
**SVQ-4GD-OCIT-WH**  
Control individual EDUs or up to four groups of EDUs. Ideal for dual-mounted applications. (see page 2.6)



**SVQ-4S2G-IT-WH**  
Control both Sivoia QED EDUs and Lutron lighting control systems. Ideal for home theater or conference room applications.



electrical transformer panel



SVQ-10-PNL

Simplify the wiring and organize installations that require multiple transformers. The power panel consists of a 10-output transformer, 10 fuses and a wire landing board.

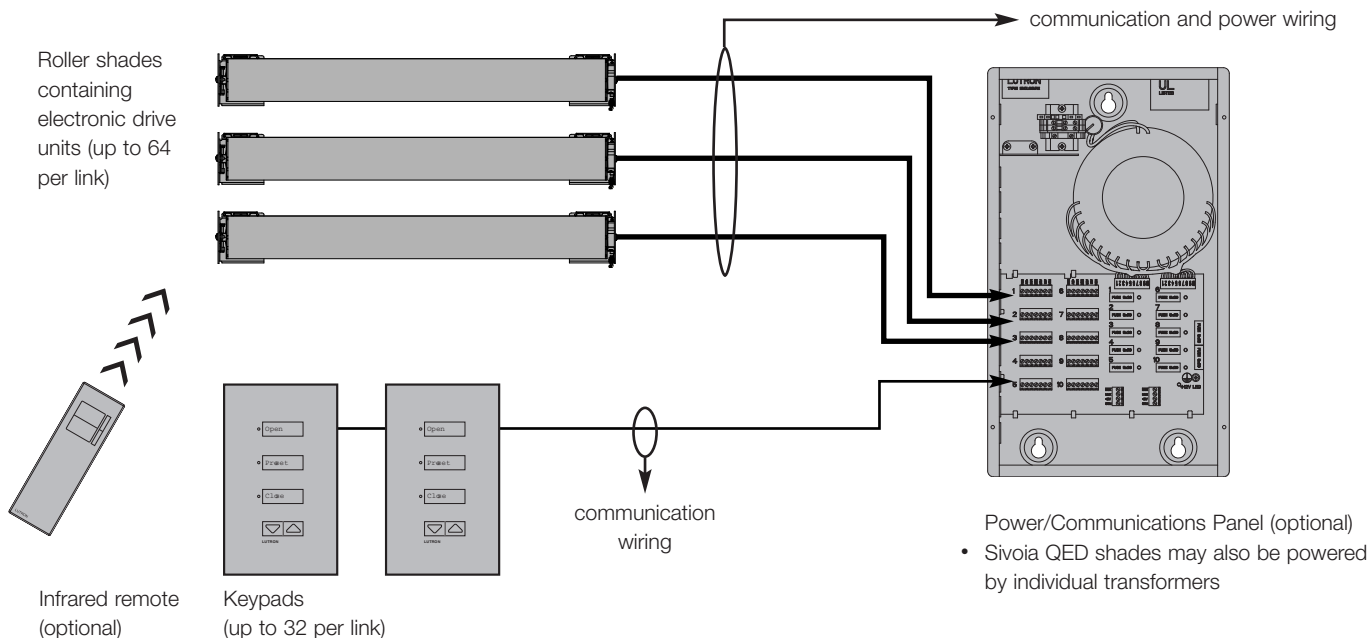
Each panel has 10-7 pin connectors for EDUs, each connector is supplied with power for an individual EDU. The panel contains a bus that connects the four communication link wires from each EDU together. It is recommended to home run both EDU and keypad wiring to the power panel.

Note: Maximum feed breaker size of 30 Amps. Each terminal block will accept one 10-18 AWG wire. Power panels must be grounded for safe operation and installed by a licensed electrician adhering to all local and national codes.

Please see the chart on page 3.12 for specific gauges and limitations.

ELECTRICAL COMPONENTS

Typical components for a Sivoia QED roller shade system (not shown to scale)

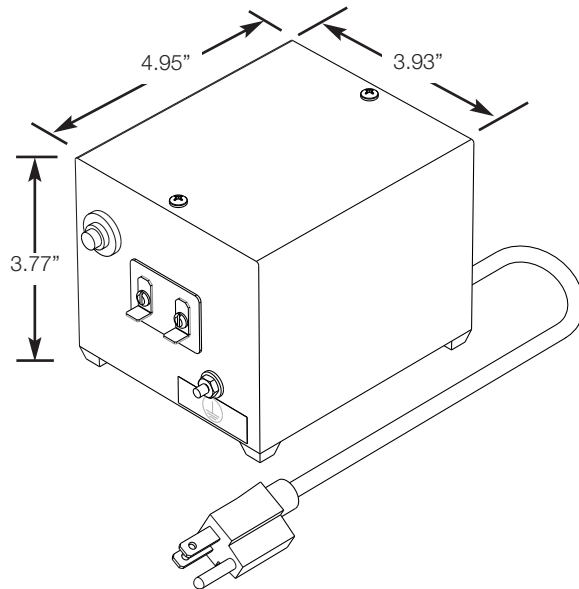
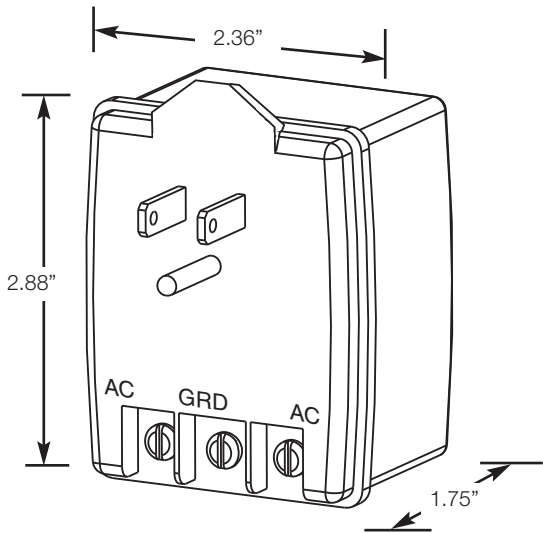


**Note:** CCI (Contact Closure Input) panels are available to connect to outside systems such as BMS (Building Management Systems) or touchscreen systems. See page 1.6

# electrical | individual transformers

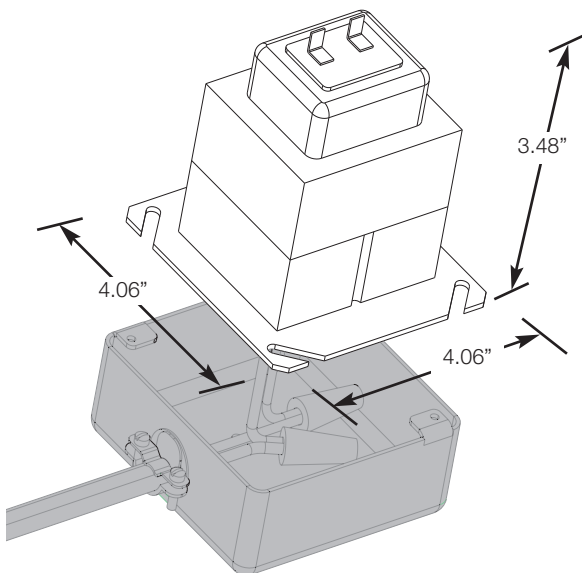
Determining which transformer to use depends upon the size of the shade the EDU needs to operate. For up to 50 square feet of fabric, the 50VA transformer is sufficient. For Sivoia QED treatments up to 225 square feet, either of the 100VA transformers can be used.

**Note:** There is no paralleling of transformer wiring. One transformer may only power one EDU. All transformers must be earth-grounded.



**SV-50SF-PI**  
50VA plug-in transformer for up to 50 square feet of fabric.

**SV-100SF-PI**  
100VA plug-in transformer for up to 225 square feet of fabric.



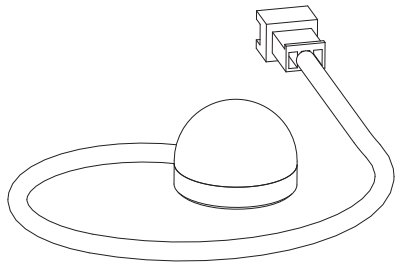
**SV-100SF-JBOX**  
100VA junction-box mount transformer for up to 225 square feet of fabric.

### TRANSFORMER CAPACITY

TYPE	CURRENT PER TRANSFORMER	TRANSFORMERS PER 15A CIRCUIT
SV-50SF-PI 44	.45A	36
SV-100SF-PI 23	.85A	17
SV-100SF-JBOX 23	.85A	17
SVQ-10-PNL* 2 PANELS	8A/PANEL	1 PANEL

\*Ten EDUs per transformer panel, each EDU must be wired to a dedicated transformer

electrical | optional infrared receivers

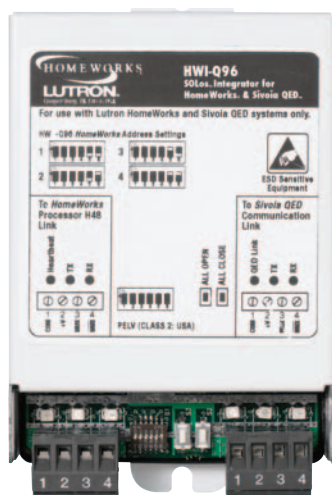


Any Sivoia QED drive has built-in infrared capability simply plug in a remote infrared receiver. It is a small 1.0" wide dome connected to the EDU by a thin 22.0" cable. Extensions of ten-foot lengths are available if the layout requires the receiver eye to be located further from the EDU. Unobtrusive mounting clips and adhesive tape are also provided.

**SV-IR**

Infrared remote eye, available in white and royal plum

electrical | integration accessories



**HomeWorks® Whole-Home Lighting Control System  
HWI-Q96 SOLos™ integrator**

- This low-voltage component provides two-way communication between HomeWorks and Sivoia QED systems
- Can be placed in any HomeWorks HWI-LV-17, HWI-LV-24, or HWI-LV-32 enclosures and is compatible with 4 series and 8 series HomeWorks processors
- Operate all EDUs, groups of EDUs, or single EDUs from HomeWorks Keypads or RS-232 port on HWI processor.
- For wiring information, see page 4.2



**RadioRA® Whole-Home Lighting Control System  
RA-SVC**

- Receives signal from RadioRA control system and operates all EDUs on the communication link.
- Must be installed within 30 feet of signal repeater.
- For wiring information, see page 4.11

ELECTRICAL COMPONENTS

electrical | integration accessories

ELECTRICAL COMPONENTS



**GRAFIK 3000/4000 Lighting Control Systems  
SG-SVC**

- Provides two-way communication between Sivoia QED and GRAFIK 3000 or GRAFIK 4000 lighting control system.
- Allow one zone on the Grafik Eye main unit for each SG-SVC.
- Does not occupy a GRX main unit address or accessory control address.
- Operates all Sivoia QED EDUs on the communication link.
- Available in decorator and architectural insert styles.
- For wiring information, see page 4.4



**GRAFIK 5000/6000/7000 Lighting Control Systems  
SO-SVC**

- Provides two-way communication between Sivoia QED and GRAFIK 5000, 6000 or 7000 lighting control system.
- Occupies one address on wallstation link.
- Operates all QED EDUs on the communication link.
- Available in decorator and architectural insert styles.
- For wiring information, see page 4.9