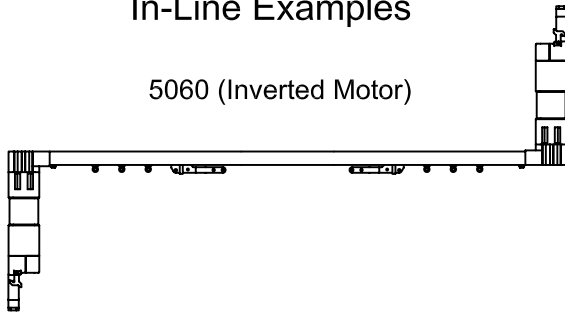


In-Line Examples

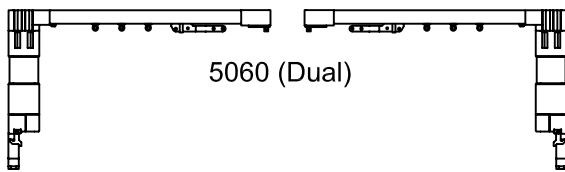
5060 (Inverted Motor)



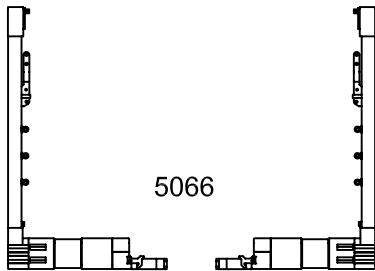
Slimline



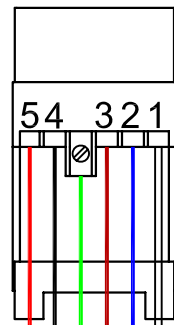
5060 (Dual)



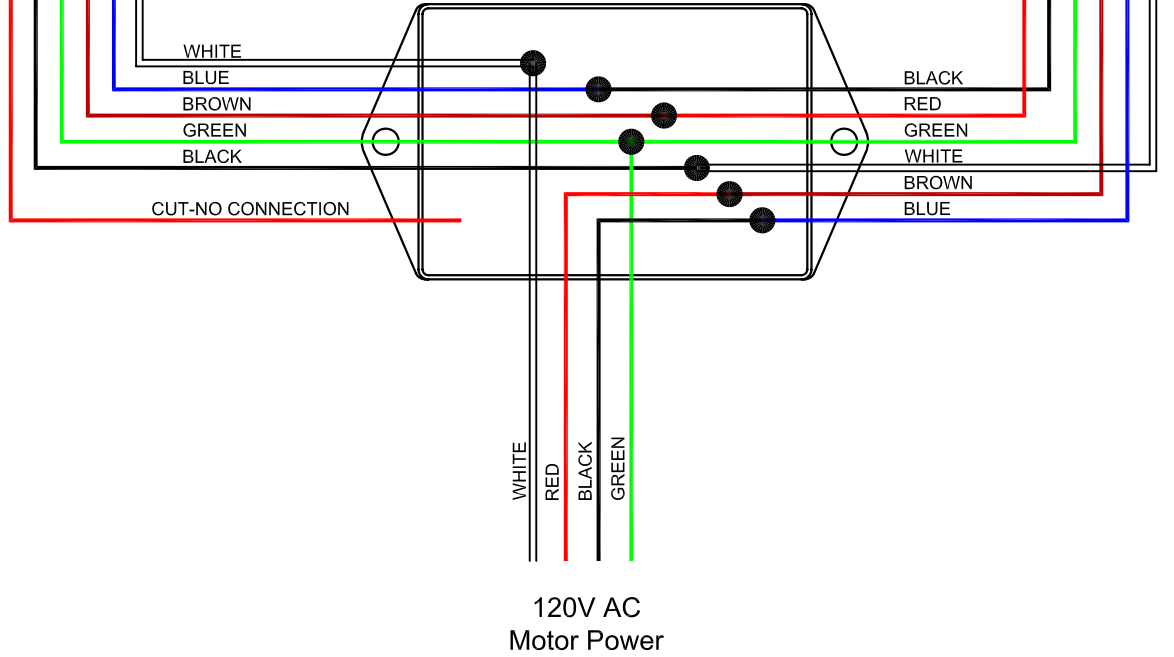
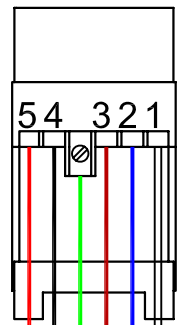
5066



Non-Drive Motor Plug



Drive Motor Plug



CONFIDENTIAL

All information disclosed in this document is proprietary to BTX Window Automation. Holder agrees to maintain it in confidence and must not replicate or reveal this information in any manner.

Project: **Wiring**

Dim:

Tolerances

.XX ± .015
.XXX ± .005
ANG ± 1°

By: G. Bennett

Project: **Wiring**

BTX Window Automation
10763 Sanden Drive
Dallas, TX 75238
(214) 340-2800
(214) 343-2252 FAX

BTX®

Title: **In-Line Dual Motor Wiring (5060)**

Size: **A**

Matl:

Dwg No:

in-line dual 5060

Rev:

Date: 10-Oct-07

Scale: G. Bennett

Sheet: G. Bennett

Rev: G. Bennett